



Northern
Vol. 2



Content

4	Welcome
6	New ideas in design
9	Behind the Scenes
12	The new collection
62	Lighting
86	Our Designers
88	Technical section
152	Credit & Contact



Twelve years in the making...

About a year ago, I came to the end of a long journey. It had kicked off with fledgling ideas, but ended with fully-finished products. Twenty-four, to be exact. They were created by sixteen designers from seven different countries, and designed for a brand that had been twelve years in the making. I got that far by asking the right questions, like if designers Morten Skjærpe Knarrum and Jonas Norheim would become the brand's creative directors, and if the world was ready for a whole new perspective on Scandinavian design. Luckily, the answers were yes, yes and yes, and the new Northern brand was born.

It was a happy birth. The new brand was launched simultaneously in six cities around the globe, and from there, spread to showrooms throughout the world. We built networks of partners and distributors, established collaborations with young designers, and were pleased to see how the media responded to our designs. Best of all, feedback from consumers and architects revealed that our products and accessories made a difference to their everyday lives, which is exactly what we set out to achieve.

Right now, we're travelling to new destinations. The journey promises to lead us toward broader horizons, and to places where the edgy and unexpected will inspire something new. You're invited to come along. Climb aboard, fasten your seatbelt, and get ready for an unforgettable ride.







The Northern brand was born in the studios of Northern Lighting, where a team of creatives has been illuminating lives for the past twelve years. We combine beauty with functionality, and prefer natural materials and genuine craftsmanship. Furniture and interior accessories are a natural fit for what we do, enabling us to express our characteristic style in a whole new scale.

New ideas in design



Per Olav Sølvsberg & Chris Tonnesen

Ever wondered what gives Northern that special sparkle? Or creates our mysterious sense of magic and mood? Then say hello to photographer Chris Tonnesen and stylist Per Olav Sølvsberg, the duo who style and photograph our products.

Based in Copenhagen and Bergen respectively, the two team up from time to time to document Northern's new designs. Their collaborations are usually characterised by friendly banter, goofy jokes and raucous laughter. We just leave them to it, knowing that once the sparks have started to fly, an explosion of creativity will follow.

"Why do we like working together?" asks Per Olav. "Because Chris speaks his mind, and I like that. I don't work with photographers who don't have opinions. Don't tell me that I'm the one who knows what looks best. If I actually knew, I wouldn't have asked." From Chris' point of view, Per Olav has an intuitive way of working that creates something

special, and a sense of humour that keeps the conversation upbeat. "Per Olav is always critical about his work so I often joke with him, pretending to complain about how bad everything looks," he says. "It's always fun to tease a perfectionist, especially one that does an outstanding job each time."

In just three years of working together, the two men have developed quirks that are more characteristic of long-term relationships than interchanges between colleagues. Chris makes sly adjustments to Per Olav's carefully positioned props, while Per Olav sneaks over and tweaks Chris' camera angles and lighting projections. It's their way of finishing each other's sentences, each helping the other to channel the creativity where it's needed most.

According to Per Olav, creativity rarely comes first. "Research is an important part of my work, so when a brief comes along, it becomes a part of that →

process,” he says. “At first, I let the brief sink in, then, when I least expect it, ideas start coming to mind.” This is usually Chris’ cue to get things ready on his side. “Per Olav is the puppet-master of every shoot, and will have ideas about what we can create together. Once I get up to speed with his ideas, I let my own vision unfold.” Chris then bounces his ideas over to Per Olav, and a game of photoshoot Ping-Pong has officially begun.

This is the point where Per Olav starts collecting props for the story he wants Chris’ photography to tell. “I would never do something already seen before,” he says. “Either the story has to be completely new, or we work without one and let the furniture speak for itself.” Chris shares Per Olav’s approach. “It’s like, the second we are able to visualise with 100% certainty how Northern is supposed to look, we know, because a light bulb goes off.”

In an industry turning over faster than Starbucks’ pumpkin spice lattes on Halloween, it can be hard to keep focused. Is it difficult to reflect industry trends without losing the brand’s identity? Per Olav has the answer ready. “I am absolutely convinced that it’s the furniture itself that creates the brand’s identity,” he says. “Whether you place a Daybe sofa in a New York loft apartment or in a Norwegian forest glade, it really doesn’t matter. The honesty is there. The authenticity comes across. You would still be able to tell that it’s a Northern product.”

Chris narrows his eyes to imagine photographing Daybe in the middle of a forest, then nods in agreement. “Per Olav and I share a certain mindset, which is what makes us a great team. Each of us is a ‘no bullshit’ kind of guy, and that’s the kind of honesty we channel into our work. That’s probably why we are such a good fit for Northern.”





“Each of us is a ‘no bullshit’ kind of guy, and that’s the kind of honesty we channel into our work.”



The new collection





Ombre
Table lamp
Antoine Rouzeau

Hifive slim
Media furniture / storage
Rudi Wulff



Hifive
Media furniture / storage
Rudi Wulff





Blush
Pendant lamp
Morten & Jonas



Reveal
Pendant lamp
Silje Nesdal

Stilk
Coffee table series
Morten & Jonas



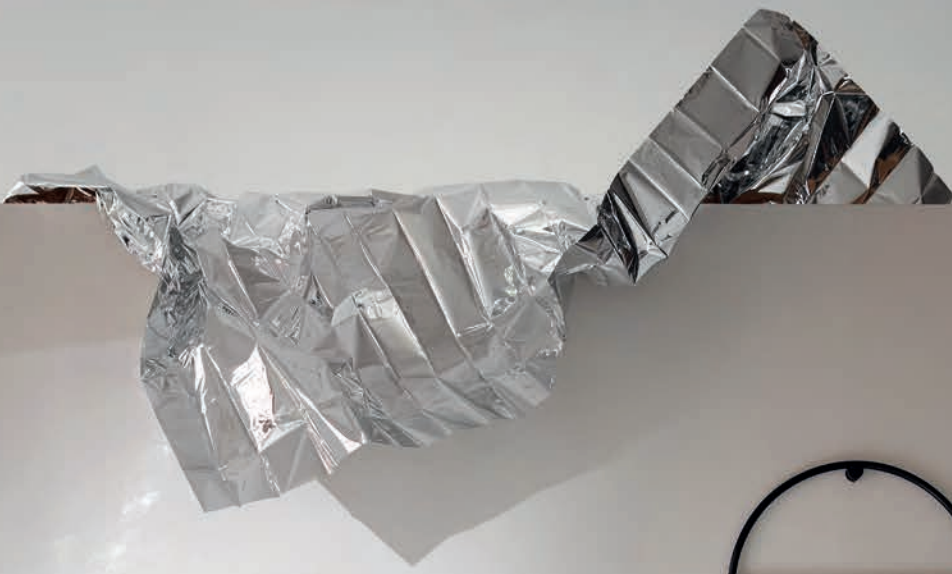
Daybe
Sofa (bed)
Morten & Jonas



Daybe
Sofa (bed)
Morten & Jonas

Peek
Mirror series
Elina Ulvio





Stine Aas

The inspiration came from two metal tubes, which I played with until they fused into a simple silhouette,' says designer Stine Aas, describing her new Grab watering can for Northern. A neat little handheld design that's simple to fill and easy to pour, the watering can comes less than a year after Northern launched Stine's spectacular Oaki chair and Nest wall-mounted container & coat hook. All three designs are loaded with personality, and like the designer herself, make strong statements about design. 'Ever noticed that there are no boundaries in design any more?' asks Stine. 'I grew up in Norway and established my studio in Bergen, but have always liked techniques and materials that connect with traditions and styles in other parts of the world.' Stine's vision is truly global, and with a range of acclaimed tables, chairs and interior accessories under her belt, her work is dawning new horizons for design.





Oaki

The expressive Oaki dining chair captures the simplicity and artistry that characterises traditional Japanese wood craftsmanship. The chair is crafted in solid oak and was originally launched with smoked oak or oiled oak finishes to choose from. This season, Oaki is available in a new black colour. The black finish is dark and deep, coating the wood with a soft sheen that highlights the wood grain's enduring appeal.



Nest
Wall hook
Stine Aas

Grab
Watering can
Stine Aas







Trace
Flashlight
Gridy



Ombre
Table lamp
Antoine Rouzeau





Oblong
Sofa
Mario Tsai







Oasis
Flower pot
Ann Kristin Einarsen





Ink
Wall lamp
Felix Isidorsson





Pal
Stool
Sami Kallio



Diva
Floor lamp
Peter Natedal &
Thomas Kalvatn Egset





Dahl small
Pendant lamp
Birger Dahl





Mattias Stenberg

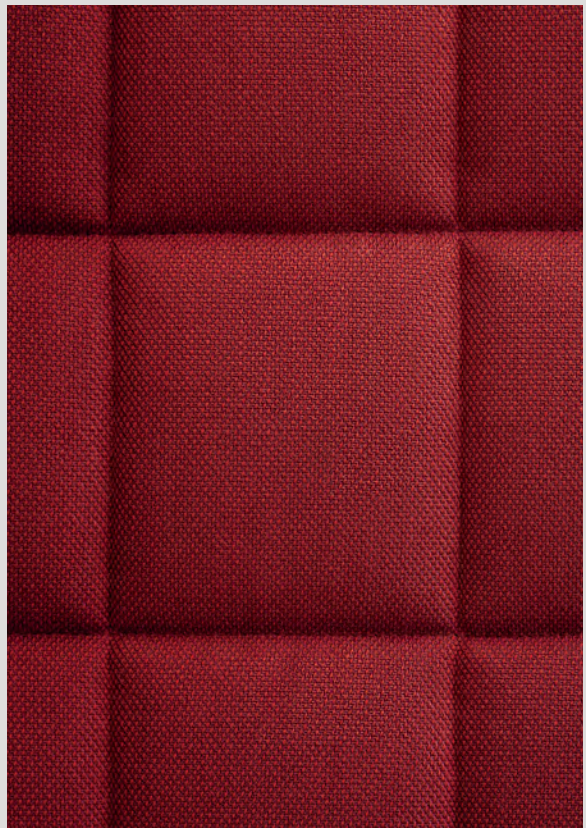
‘To me, Northern is not just the name of a brand – it says something about the point of origin,’ explains Mattias Stenberg, the Swedish designer behind Northern’s Yam series of seating and ottomans. ‘Even though the Northern brand is rooted in the Nordic tradition, Northern seem to be evolving the concept of Scandinavian design to make it more relevant to consumers today.’ Yet, as Mattias revisits the hallmarks of the past to set benchmarks for the present, he also finds plenty of inspiration in the everyday.

‘What’s exciting right now is that designers are allowing Nordic sensibilities to guide them towards new shapes while rethinking the colour and texture of the surfaces they design,’ he says. A quick look at Mattias’ own Yam designs reveals exactly what he means. ‘The texture and the quilting were inspired by fields of soft moss that grow in the highlands of the Far North,’ he explains. ‘The moss forms slowly to create an irresistibly tactile ground-cover, just like the surfaces covering the ottomans and seats.’



Yam

This spectacular series of contemporary seats was inspired by traditional Ottoman stools. The series includes a low-slung seat with a backrest, an ottoman and a footstool. Each seat is made with soft contours that enhance comfort and add support to the overall structure. The seats are bordered by a single, unbroken seam that forms a soft edge around the sides. The version with the backrest is shaped by a subtle fold that divides the back from the seat. Each of the designs is available in a selection of fabrics. The seats are subtle enough to blend in with most interiors, yet striking enough to stand out in a contemporary space.







Yam
Pouf
Mattias Stenberg



Wired
Wall shelf system
Morten & Jonas





Nook
Ladder rack
Cecilia Xinyu Zhang

Say My Name
Table lamp
Morten & Jonas





Heat
Pendant lamp
Johanna Forsberg



Loud
Bar cabinet
Färg & Blanche



Shelter
Work desk
Yonoh



Case
Cushion series
Kyla McCallum



Camp
Table
Rudi Wulff



Frame
Drying horse wall
Cecilia Xinyu Zhang



Dais
Stepstool
Gridy



Pilk
Ice cube tray
Rudi Wulff



Lighting



Gear
Lamp series
Johan Lindstén





Me
Floor lamp
Morten & Jonas



Acorn
Pendant lamp
Atle Tveit



Buddy
Table lamp
Mads Sætter-Lassen



Buddy
Wall lamp
Mads Sætter-Lassen



Birdy
Floor lamp
Birger Dahl



Birdy
Table lamp
Birger Dahl



Over Me
Wall / ceiling lamp
Morten & Jonas



Circle
Pendant lamp
Hannakaisa Pekkala



Balancer
Floor lamp
Yuue



Meld
Pendant lamp
Noidoi Design Studio

Say My Name
Table lamp
Morten & Jonas



Blush
Wall lamp
Morten & Jonas



Dokka
Pendant lamp
Birger Dahl



Oslo Wood
Floor lamp
Ove Rogne



Snowball
Table lamp
Trond Svendgård



Evergreen
Pendant lamp
Jens Praet & Vibeke Skar

Butterfly
Wall lamp
Sven I. Dysthe





Unika
Pendant lamp
Anne Louise Due de Fønss
& Anders Lundqvist



Granny
Candle holder
Rudi Wulff

Iris
Candle holder
Studio Dreimann



Poppy
Oil lamp series
Frost Produkt





Our Designers

Anne Louise Due De Fønss
& Anders Lundquist
Ann Kristin Einarsen
Antoine Rouzeau
Atle Tveit
Birger Dahl
Cecilia Xinyu Zhang
Elina Ulvio
Färg & Blanche
Felix Isidorsson
Frost Produkt
Gridy
Hannakaisa Pekkala
Hareide Design
Jens Praet
Johan Lindstén
Johanna Forsberg
Kyla McCallum
Ida Noemi
Mads Sætter-Lassen
Mario Tsai
Mark Braun
Mattias Stenberg
Morten & Jonas
Noidoi Design Studio
Ove Rogne
Rudi Wulff
Sami Kallio
Silje Nesdal
Stine Aas
Studio Dreimann
Sven I. Dysthe
Thomas Kalvatn Egset
& Peter Natedal
Trond Svendgård
Vera & Kyte
Vibeke Skar
Yonoh
Yuue



Technical section





Furniture

Camp	P. 91
Dais	P. 92
Daybe	P. 93
Hifive	P. 94
Hifive slim	P. 96
Loud	P. 97
Oaki	P. 98
Oblong	P. 99
Pal	P. 100
Shelter	P. 101
Stilk	P. 102
Wired	P. 103
Yam chair	P. 104
Yam pouf	P. 105

Accessories

Ballet	P. 106
Case	P. 107
Frame	P. 107
Fyr	P. 108
Grab	P. 108
Granny	P. 109
Iris	P. 109
Nest	P. 110
Nook	P. 110
Oasis	P. 111
Peek	P. 112
Pilk	P. 113
Poppy table	P. 113
Poppy floor	P. 114
Trace	P. 115

Lighting

Acorn	P. 118
Balancer	P. 119
Bell	P. 120
Birdy table	P. 121
Birdy floor	P. 122
Birdy wall	P. 123
Blush pendant	P. 124
Blush wall	P. 125
Buddy table	P. 126
Buddy wall	P. 127
Butterfly	P. 128
Circle	P. 129
Dahl	P. 130
Diva	P. 131
Dokka	P. 132
Evergreen	P. 133
Gear table	P. 134
Gear floor	P. 135
Heat	P. 136
Illusion	P. 137
Ink	P. 138
Me	P. 139
Meld	P. 140
Moo	P. 141
Ombre	P. 142
Oslo Wood	P. 143
Over Me	P. 144
Reveal	P. 145
Say My Name	P. 146
Scheisse	P. 147
Snowball	P. 148
Sunday	P. 149
Unika	P. 150

New product *



Camp smoked oak top – *Item no. 2231*



Camp black laminate top – *Item no. 2233*

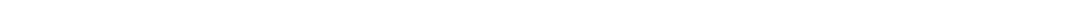
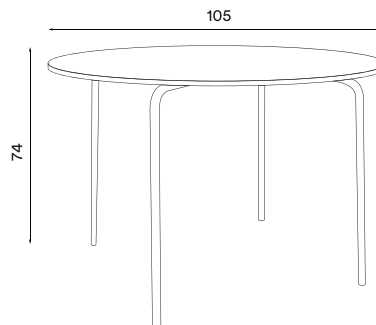


Camp light oak top – *Item no. 2235*

Camp legs (4 pcs) – *Item no. 2237*

Product type: Table
Design: Rudi Wulff, 2018
Material legs: Steel
Colour legs: Black (Ral 9005)
Material table tops: Oak veneer or laminate
Colour table tops: Light oiled oak, smoked oak
or matt black laminate
Net weight: 19.5 kg
Order quantity: 1

Dimensions (cm):

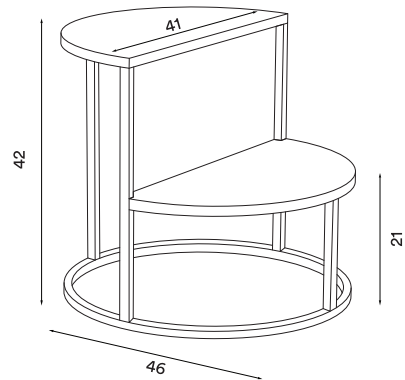




Dais – *Item no. 2241*

Product type: Stepstool
Design: Gridy, 2018
Material body and steps: Steel
Colour: Black (Ral9005)
Net weight: 5.6 kg
Order quantity: 1

Dimensions (cm):





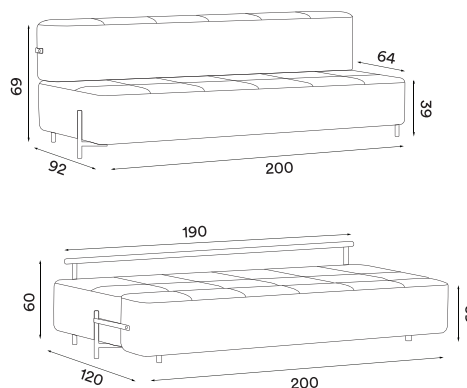
Daybe price group 1 – *Item no. 2001*
 Daybe price group 2 – *Item no. 2002*
 Daybe price group 3 – *Item no. 2003*



Daybe armrest price group 1 – *Item no. 2261*
 Daybe armrest price group 2 – *Item no. 2262*
 Daybe armrest price group 3 – *Item no. 2263*

Product type: Sofa (bed)
Design: Morten & Jonas, 2018
Material legs and armrests: Steel
Colour legs and armrests: Black (Ral 9005)
Material body: Plywood base, cold foam filling, textile cover
Price group 1 (Kvadrat):
 Brusvik 05 (grey)
 Brusvik 08 (dark grey)
 Brusvik 33 (pink)
 Brusvik 98 (dark blue)
Price group 2 (Kvadrat):
 San (all colours)
Price group 3 (Kvadrat):
 Steelcut trio 3 (all colours)
Net weight: 48.0 kg
Order quantity: 1

Dimensions (cm):





Hifive 75 light oak wall



Hifive 75 smoked oak wall



Hifive 75 black oak floor



Hifive 100 light oak floor



Hifive 100 smoked oak wall



Hifive 100 black oak wall



Hifive 150 light oak wall



Hifive 150 smoked oak floor



Hifive 150 black oak floor



Hifive 200 light oak floor



Hifive 200 smoked oak floor



Hifive 200 black oak wall

Product type: Media furniture / storage

Design: Rudi Wulff, 2018

Material cabinet boxes and top board: Oak veneer

Colour cabinet boxes and top board: Light oiled oak,

smoked oak or black painted oak

Material legs: Steel

Colour legs: Black (Ral 9005)

Net weight open box: 6.4 kg

Net weight tambour cabinet: 12.5 kg

Net weight top board 75 cm: 2.1 kg

Net weight top board 100 cm: 3.2 kg

Net weight top board 150 cm: 4.2 kg

Net weight top board 200 cm: 6.4 kg

Net weight legs 75 cm: 2.4 kg

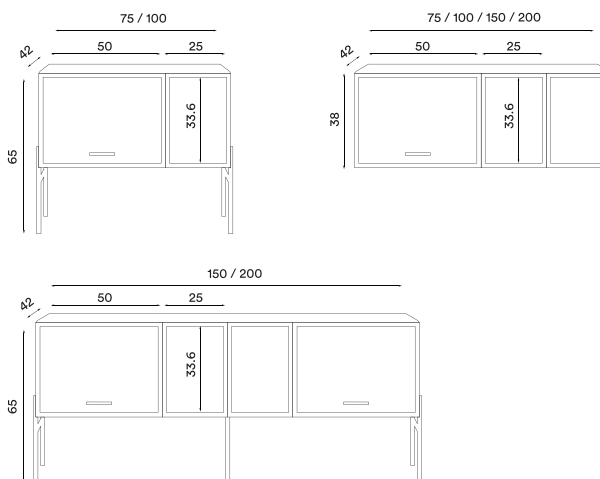
Net weight legs 100 cm: 2.6 kg

Net weight legs 150 cm: 4.1 kg

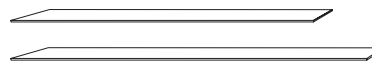
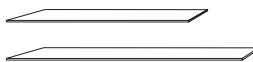
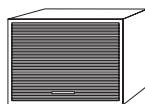
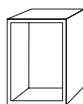
Net weight legs 200 cm: 4.5 kg

Order quantity: 1

Dimensions (cm):



Components:



Open box

Tambour cabinet

Top board 75 cm

Top board 100 cm

Top board 150 cm

Top board 200 cm

Smoked oak
- Item no. 2061

Smoked oak
- Item no. 2071

Light oiled oak
- Item no. 2081

Light oiled oak
- Item no. 2091

Light oiled oak
- Item no. 2271

Light oiled oak
- Item no. 2281

Light oiled oak
- Item no. 2062

Light oiled oak
- Item no. 2072

Smoked oak
- Item no. 2082

Smoked oak
- Item no. 2092

Smoked oak
- Item no. 2272

Smoked oak
- Item no. 2282

Black painted oak
- Item no. 2063

Black painted oak
- Item no. 2073

Black painted oak
- Item no. 2083

Black painted oak
- Item no. 2093

Black painted oak
- Item no. 2273

Black painted oak
- Item no. 2283



Legs

75 cm
- Item no. 2041

100 cm
- Item no. 2051

150 cm
- Item no. 2042

200 cm
- Item no. 2052

Hifive slim wall



Hifive slim 75 light oak



Hifive slim 75 smoked oak



Hifive slim 75 black oak



Hifive slim 100 light oak



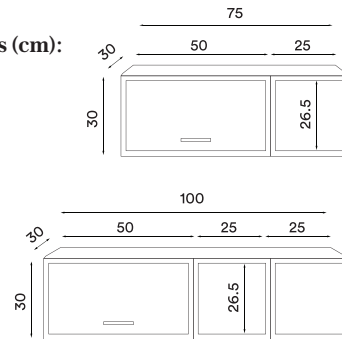
Hifive slim 100 smoked oak



Hifive slim 100 black oak

Product type: Media furniture / storage
Design: Rudi Wulff, 2019
Material cabinet boxes and top board: Oak veneer
Colour cabinet boxes and top board: Light oiled oak, smoked oak or black painted oak
Net weight open box: 4.7 kg
Net weight tambour cabinet: 8.0 kg
Net weight top board 75 cm: 1.5 kg
Net weight top board 100 cm: 2.0 kg
Order quantity: 1

Dimensions (cm):



Components:	Open box	Tambour cabinet	Top board 75 cm	Top board 100 cm
	Smoked oak - Item no. 2291	Smoked oak - Item no. 2301	Light oiled oak - Item no. 2311	Light oiled oak - Item no. 2321
	Light oiled oak - Item no. 2292	Light oiled oak - Item no. 2302	Smoked oak - Item no. 2312	Smoked oak - Item no. 2322
	Black painted oak - Item no. 2293	Black painted oak - Item no. 2303	Black painted oak - Item no. 2313	Black painted oak - Item no. 2323



Loud – *Item no. 2191*

Product type: Bar cabinet

Design: Färg & Blanche, 2018

Material legs: Solid oak

Material cabinet and top: Oak veneer

Colour legs, cabinet and top: Smoked oak

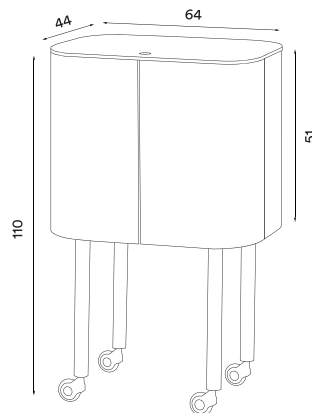
Material outside: Mirror laminate

Wheels: Steel with rubber

Net weight: 16.5 kg

Order quantity: 1

Dimensions (cm):





Oaki light oak
 – Item no. 2111 (1 pc)
 – Item no. 2116 (2 pcs)



Oaki smoked oak
 – Item no. 2112 (1 pc)
 – Item no. 2117 (2 pcs)



Oaki black painted oak
 – Item no. 2113 (1 pc)
 – Item no. 2118 (2 pcs)

Product type: Chair

Design: Stine Aas, 2018

Material body: Solid oak

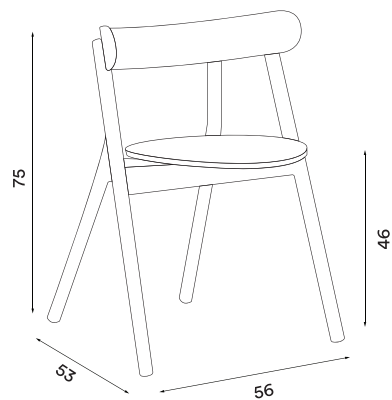
Material seat and backrest: Laminated oak veneer

Colours: Light oiled oak, smoked oak or black painted oak

Net weight: 4.9 kg

Order quantity: 1 pc / 2 pcs

Dimensions (cm):





Oblong chair price group 1 – *Item no. 2101*
 Oblong chair price group 2 – *Item no. 2102*
 Oblong chair price group 3 – *Item no. 2103*
 Oblong chair price group limited – *Item no. 2105*

Oblong sofa price group 1 – *Item no. 2106*
 Oblong sofa price group 2 – *Item no. 2107*
 Oblong sofa price group 3 – *Item no. 2108*
 Oblong sofa price group limited – *Item no. 2110*

Product type: Lounge chair / sofa

Design: Mario Tsai, 2018

Material legs: Steel

Colour legs: Black (Ral 9005)

Materials seat and backrest: Plywood base, cold foam filling, textile cover

Price group 1 (Kvadrat):

Brusvik 05 (grey)

Brusvik 08 (dark grey)

Brusvik 33 (pink)

Brusvik 98 (dark blue)

Price group 2 (Kvadrat): San (all colours)

Price group 3 (Kvadrat): Steelcut trio 3 (all colours)

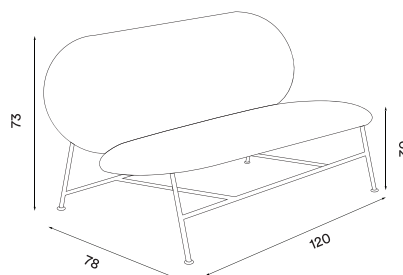
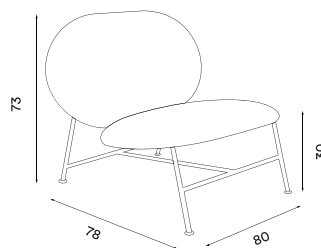
Price group limited (Kvadrat): Harald 3 (192 Black)

Net weight chair: 14.2 kg

Net weight sofa: 21.0 kg

Order quantity: 1

Dimensions (cm):





Pal light oak mesh – *Item no. 2121*



Pal smoked oak mesh – *Item no. 2122*



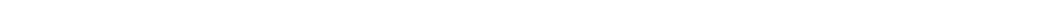
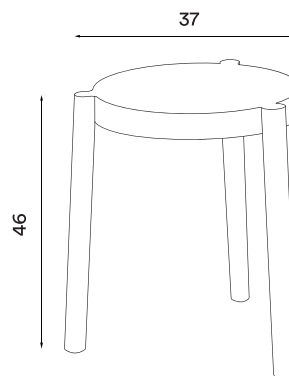
Pal light oak – *Item no. 2123*



Pal smoked oak – *Item no. 2124*

Product type: Stackable stool series
Design: Sami Kallio, 2018
Material legs: Solid oak
Material wood seat: Laminated oak veneer
Material mesh seat: Cane mesh
Colours: Light oiled oak or smoked oak
Net weight: 2.5 kg
Order quantity: 1

Dimensions:

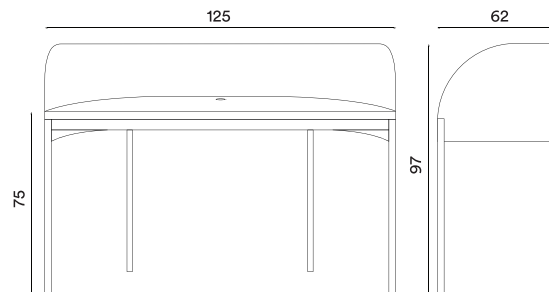




Shelter – *Item no. 2221*

Product type: Work desk
Design: Yonoh, 2018
Material table top: Oak veneer
Colour table top: Smoked oak
Material body and legs: Steel
Material back screen: Perforated steel
Colour body, legs and back screen: Black
(Ral 9005)
Order quantity: 1

Dimensions (cm):





Stilk table top small – *Item no. 2161*
 Stilk legs high – *Item no. 2151*



Stilk table top medium – *Item no. 2171*
 Stilk legs medium – *Item no. 2141*



Stilk table top large – *Item no. 2181*
 Stilk legs low – *Item no. 2131*

Product type: Coffee table series

Design: Morten & Jonas, 2018

Materials table top: Steel frame, laminate top

Material legs: Steel

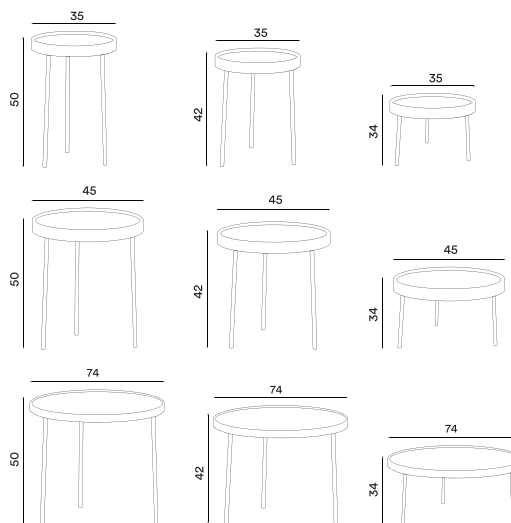
Colour table top and legs: Black (Ral 9005)

Net weight table tops: 2.4 kg / 3.7 kg / 9.4 kg

Net weight legs (3pcs): 0.66 kg / 0.80 kg / 0.96 kg

Order quantity: 1

Dimensions (cm):

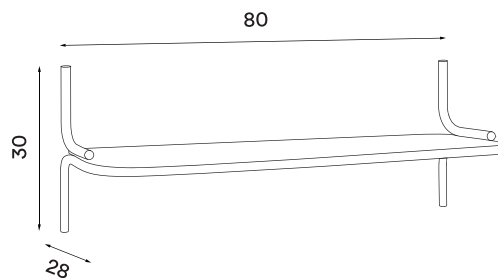




Wired – Item no. 2201

Product type: Wall shelf system
Design: Morten & Jonas, 2018
Material body and shelf: Steel
Colour body and shelf: Black (Ral 9005)
Net weight: 4.2 kg
Order quantity: 1

Dimensions (cm):





Yam XL price group 1 – *Item no. 2011*

Yam XL price group 2 – *Item no. 2012*

Yam XL price group 3 – *Item no. 2013*

Yam XL price group mix – *Item no. 2014*

Yam XL price group limited – *Item no. 2015*

Product type: Pouf / Lounge chair series

Design: Mattias Stenberg, 2018

Material: Plywood base, moulded foam filling, textile cover

Price group 1 (Kvadrat):

Brusvik 05 (grey)

Brusvik 08 (dark grey)

Brusvik 33 (pink)

Brusvik 98 (dark blue)

Price group 2 (Kvadrat): San (all colours)

Price group 3 (Kvadrat): Steelcut trio 3 (all colours)

Price group mix (Kvadrat):

Mix of price group 1, 2 and 3 (body/seat)

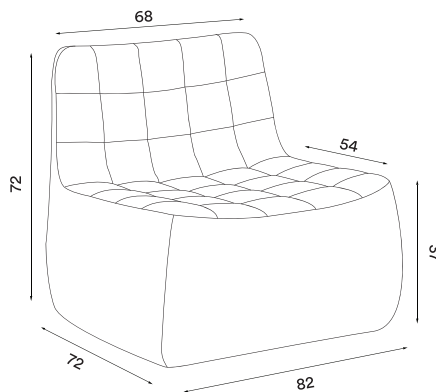
Price group limited:

Nevotex red leather (body) and choice of price group 1, 2 or 3 (seat)

Net weight: 20.4 kg

Order quantity: 1

Dimensions (cm):





Yam small price group 1 – *Item no. 2021*
 Yam small price group 2 – *Item no. 2022*
 Yam small price group 3 – *Item no. 2023*
 Yam small price group mix – *Item no. 2024*
 Yam small price group limited – *Item no. 2025*

Yam medium price group 1 – *Item no. 2031*
 Yam medium price group 2 – *Item no. 2032*
 Yam medium price group 3 – *Item no. 2033*
 Yam medium price group mix – *Item no. 2034*
 Yam medium price group limited – *Item no. 2035*

Product type: Pouf / Lounge chair series

Design: Mattias Stenberg, 2018

Material: Plywood base, moulded foam filling, textile cover

Price group 1 (Kvadrat):

- Brusvik 05 (grey)
- Brusvik 08 (dark grey)
- Brusvik 33 (pink)
- Brusvik 98 (dark blue)

Price group 2 (Kvadrat): San (all colours)

Price group 3 (Kvadrat): Steelcut trio 3 (all colours)

Price group mix (Kvadrat):

Mix of price group 1, 2 and 3 (body/seat)

Price group limited:

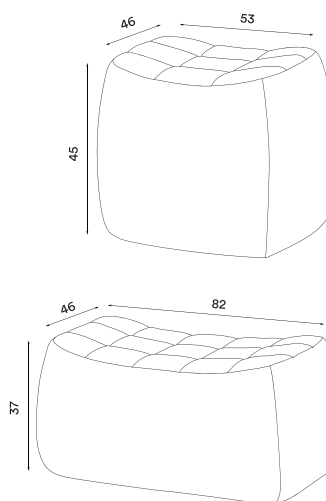
Nevotex red leather (body) and choice of price group 1, 2 or 3 (seat)

Net weight small: 7.3 kg

Net weight medium: 11.5 kg

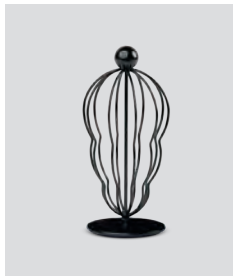
Order quantity: 1

Dimensions (cm):

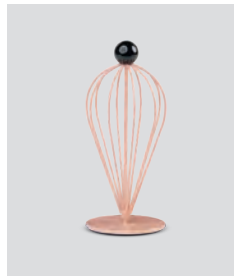


Ballet

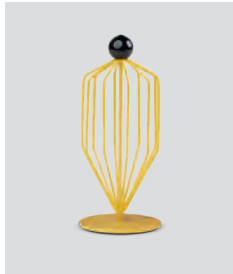
106



Ballet black
- item nr. 3031



Ballet pink
- item nr. 3032



Ballet yellow
- item nr. 3033

Product type: Table top spinner (figurine)

Design: Vera & Kyte, 2018

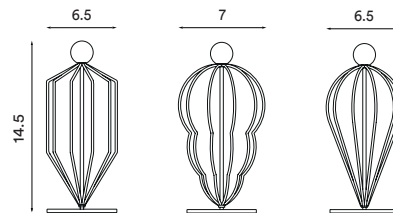
Materials: Steel

Colours: Black, pink or yellow

Net weight: 0.16 kg

Outer package: 4

Dimensions (cm):



Case

107



Case pink
- item nr. 3061



Case green
- item nr. 3062



Case rust
- item nr. 3063

Product type: Cushion

Design: Kyla McCallum, 2018

Material cover: Wool textile

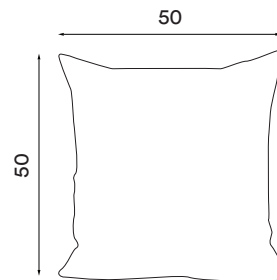
Material inner cushion: Feather

Cover colours: Pink, green or rust

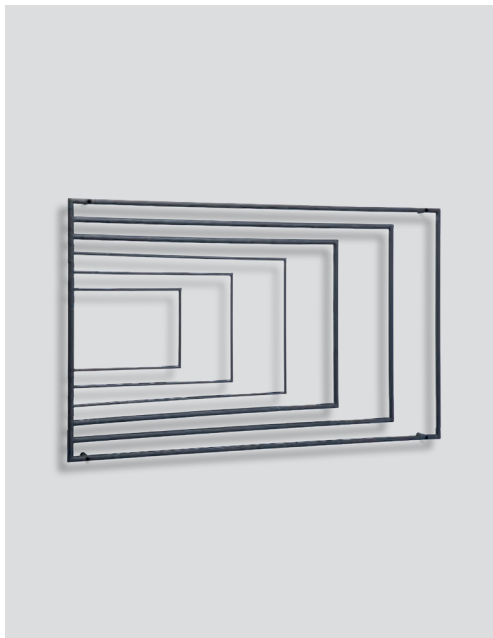
Net weight: 1.00 kg

Outer package: 3

Dimensions (cm):



Frame



Frame
- item nr. 3041

Product type: Drying horse wall

Design: Cecilia Xinyu Zhang, 2018

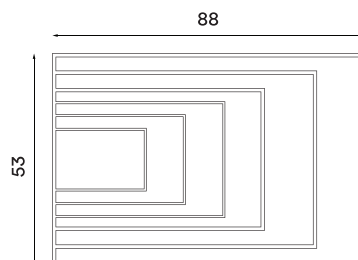
Material: Steel

Colour: Black grey

Net weight: 2.2 kg

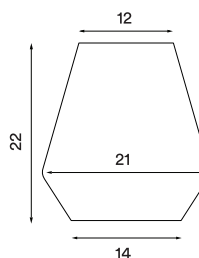
Order quantity: 2

Dimensions (cm):





Product type: Candle lantern / vase
Design: Vibeke Skar & Ida Noemi, 2015
Material: Mouth blown glass
Colour: Smoked grey
Net weight: 1.30 kg
Outer package: 2
Dimensions (cm):



Fyr
 - item nr. 814

Grab



Grab plum
 - item nr. 3081

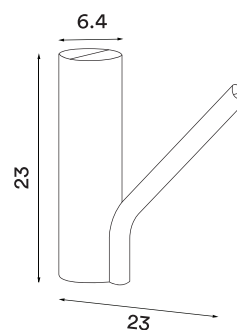


Grab dark green
 - item nr. 3082



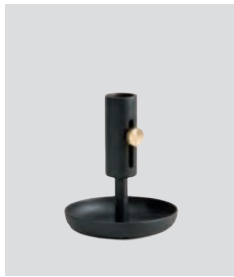
Grab light yellow
 - item nr. 3083

Product type: Watering can
Design: Stine Aas, 2019
Material: Stainless steel
Colours: Plum, dark green or light yellow
Net weight: 0.75 kg
Outer package: 4
Dimensions (cm):



Granny

109



Granny low black
- item nr. 806



Granny high black
- item nr. 807



Granny low white
- item nr. 808



Granny high white
- item nr. 809

Product type: Candle holder series

Design: Rudi Wulff, 2015

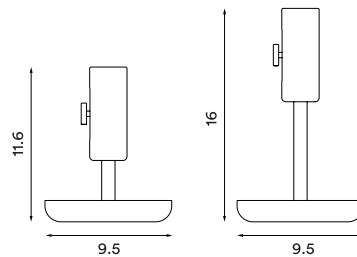
Materials: Steel and brass

Colours: Black or white

Net weight: 0.18 kg / 0.20 kg

Outer package: 4

Dimensions (cm):



Iris



Product type: Candle and tea light holder

Design: Studio Dreimann, 2015

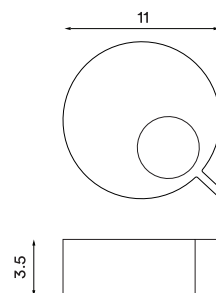
Material: Cast iron

Colour: Black

Net weight: 1.00 kg

Outer package: 4

Dimensions (cm):



Iris

- item nr. 810

Nest

110



Nest pink
- item nr. 3051



Nest dark blue
- item nr. 3052



Nest black
- item nr. 3053



Nest dark green
- item nr. 3054



Nest white
- item nr. 3055

Product type: Wall hook / storage

Design: Stine Aas, 2018

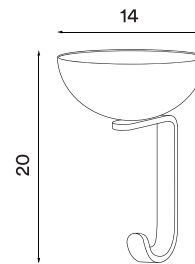
Materials: Aluminium (hook) and steel (cup)

Colours: Pink, dark blue, black, dark green or white

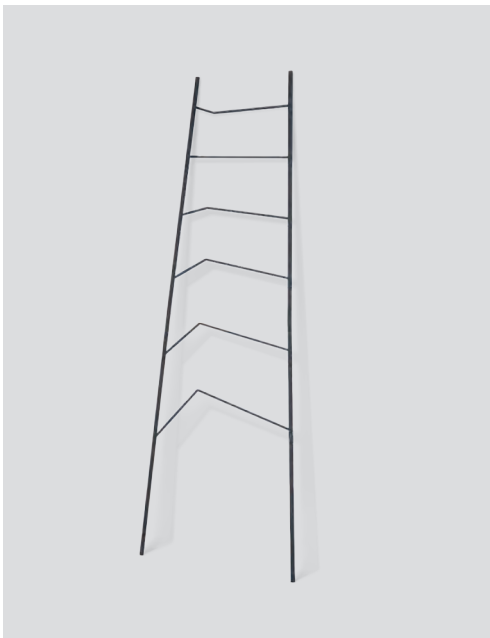
Net weight: 0.33 kg

Outer package: 4

Dimensions (cm):



Nook



Nook
- item nr. 3042

Product type: Ladder rack

Design: Cecilia Xinyu Zhang, 2018

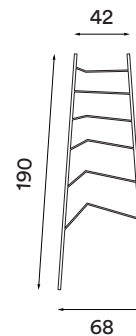
Material: Steel

Colour: Black grey

Net weight: 2.10 kg

Outer package: 2

Dimensions (cm):





Oasis small green
- item nr. 3011



Oasis small white
- item nr. 3012



Oasis small dark brown
- item nr. 3013



Oasis small black
- item nr. 3014



Oasis large green
- item nr. 3021



Oasis large white
- item nr. 3022



Oasis large dark brown
- item nr. 3023



Oasis large black
- item nr. 3024

Product type: Flower pot series

Design: Ann Kristin Einarsen, 2018

Materials: Unglazed terracotta (top part),
glazed terracotta (bottom part)

Colours top part: Natural terracotta or
brown terracotta (black version only)

Colours bottom part: Green, white, dark brown or
black (black version only)

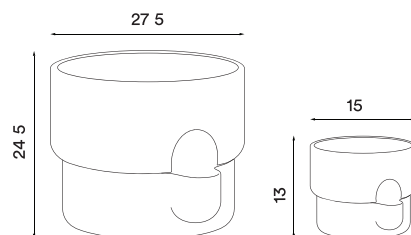
Net weight small: 1.1 kg

Net weight large: 3.6 kg

Outer package small: 4

Outer package large: 2

Dimensions (cm):



Peek

112



Peek circular small
- item nr. 3071



Peek oval small
- item nr. 3072



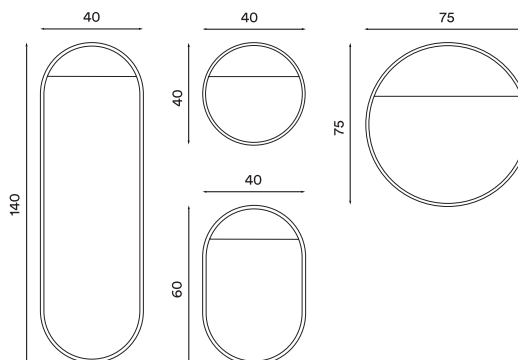
Peek circular large
- item nr. 3073



Peek oval large
- item nr. 3074

Product type: Wall mirror series
Design: Elina Ulvio, 2018
Materials: Steel, tinted mirror glass
Colour: Black
Net weight circular small: 2.2 kg
Net weight oval small: 4.1 kg
Net weight circular large: 8.6 kg
Net weight oval large: 11.0 kg
Outer package small: 2
Outer package large: 1

Dimensions (cm):



Pilk

113



Product type: Ice cube tray / mould

Design: Rudi Wulff, 2018

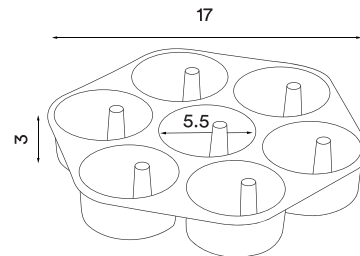
Material: Silicone (food grade)

Colour: Black

Net weight (kg): 0.15 kg

Outer package: 10

Dimensions (cm):



Pilk

- item nr. 3001

Poppy table



Product type: Oil lamp series

Design: Frost produkt, 2016

Container material: Stainless steel

Container colours: Black grey

Base material: Steel

Base colour: Black grey

Net weight: 1.30 kg

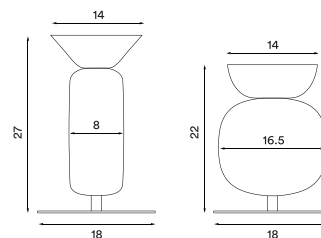
Spare parts available: Wick, water proof cover

Outer package: 2

Dimensions (cm):

Poppy table bold black grey

- item nr. 831



Poppy table skinny black grey

- item nr. 833



Poppy floor bold black grey
– Item no. 834



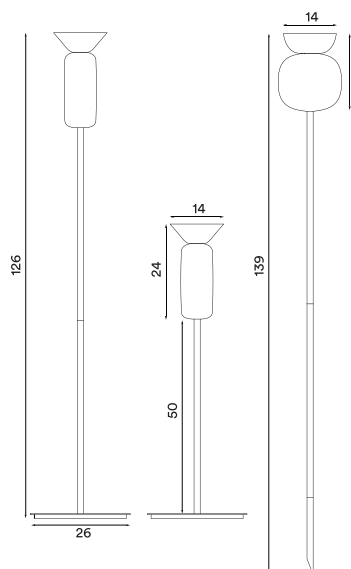
Poppy floor skinny black grey
– Item no. 835



Poppy floor base black grey
– Item no. 836

Product type: Oil lamp series
Design: Frost Produkt, 2016
Container material: Stainless steel
Container colour: Black grey
Base material: Cast Iron and steel
Base colour: Black grey
Net weight floor version: 2.1 kg
Net weight floor base: 5.0 kg
Spare parts available: Wick, water proof cover, floor tube, ground spear
Outer package: 2

Dimensions (cm):





Product type: Flashlight

Design: Gridy, 2019

Material: Anodized aluminium and glass

Colour: Black

Light source: CREE LED 3 W, 4400 K.

Step dimmable, 100 / 240 / 360 lm.

Battery: USB rechargeable (Lithium Ion)

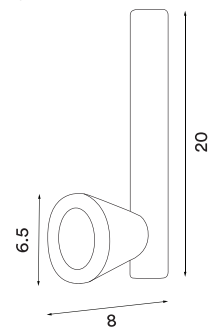
Battery duration: 4 - 15 hours

Charging time: 5 hours (fully charged)

Net weight: 0.35 kg (incl. battery)

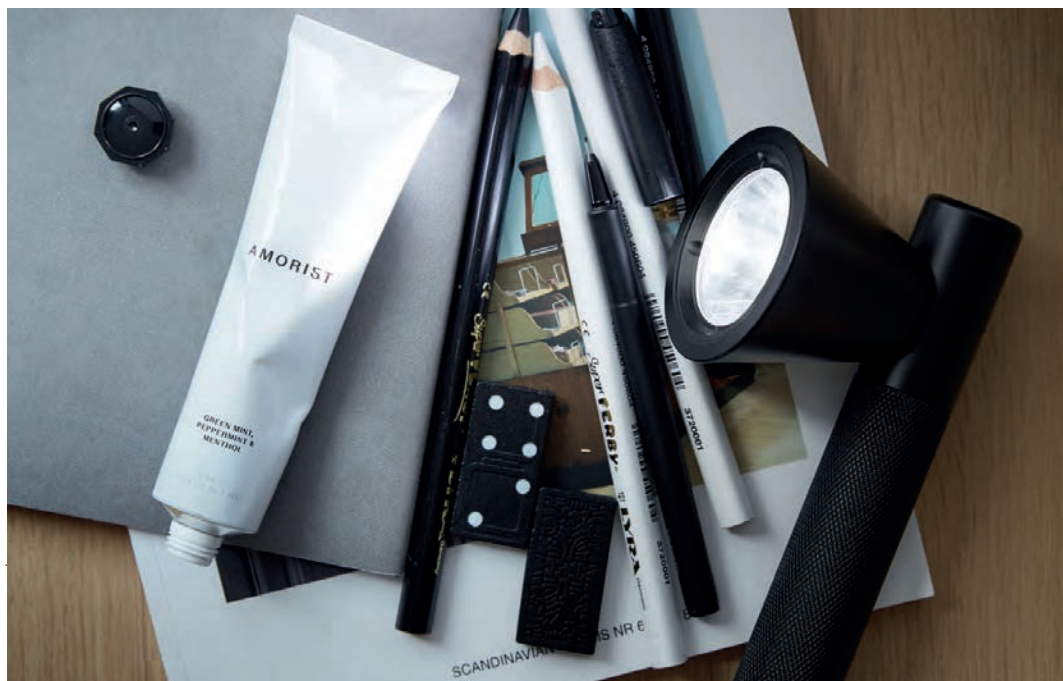
Outer package: 4

Dimensions (cm):



Trace

- item nr. 3090





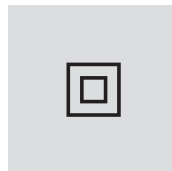
Symbols



CE approval



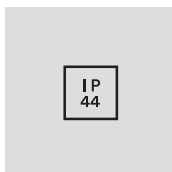
Class 1



Class 2



IP20

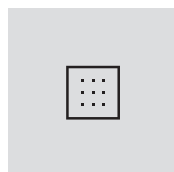


IP44

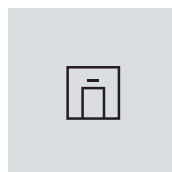


New product

Light source



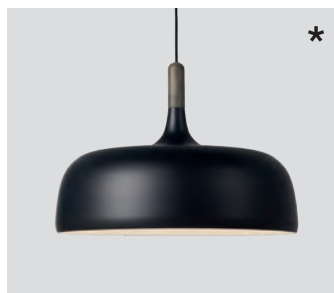
LED
(LED)



H
(Halogen)



I
(Incandescent)



Acorn white
– Item no. 540

Acorn grey
– Item no. 541

Acorn black
– Item no. 542

Product type: Pendant lamp

Design: Atle Tveit, 2012

Shade material: Aluminium

Shade colour: White, grey or black

Shade inner colour: White

Wooden parts: Light beech or dark walnut
(both colours are included)

Wire: White (white version), grey (grey version) or black (black version), silk 370 cm

Bulb: E27, Max. 100 W

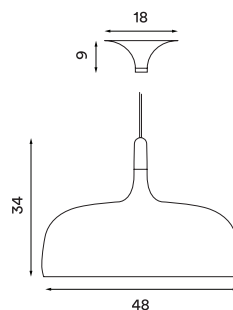
Voltage: 220V - 240V - 50Hz

Net weight: 2.3 kg

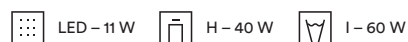
Order quantity: 1

Spare parts available: Ceiling mounted canopy, wooden parts

Dimensions and light direction:



Recommended bulb:

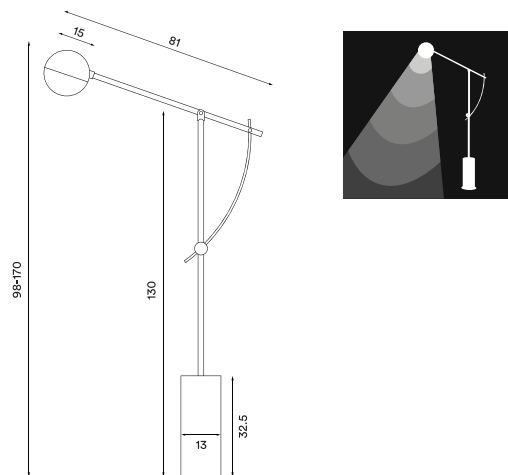




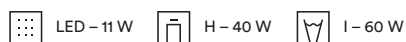
Balancer
– Item no. 665

Product type: Floor lamp
Design: Yuue, 2017
Base, body and shade material: Steel
Base, body and shade colour: Black matt
Light diffuser material: Mouth blown glass
Light diffuser colour: Opal white matt
Wire: Black, 200 cm
Dimmer switch: Black
Bulb: E27, Max. 60 W
Voltage: 220V - 240V - 50Hz
Net weight: 15.1 kg
Order quantity: 1
Spare parts available: Light diffuser glass

Dimensions and light direction:



Recommended bulb:



Bell

120



Bell white
– Item no. 510



Bell grey
– Item no. 513



Bell burgundy matt
– Item no. 517



Bell light grey matt
– Item no. 516

Product type: Pendant lamp

Design: Mark Braun, 2011

Shade material: Porcelain

Shade colour: White (pure porcelain, glazed),
grey (Pantone 446 C), light grey matt (Pantone
414 C), burgundy matt (Pantone 7640 C)

Shade inner colour: White

Wire: Black rubber, 370 cm

Bulb: E27, Max. 60 W

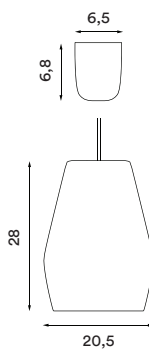
Voltage: 220V - 240V - 50Hz

Net weight: 2.5 kg

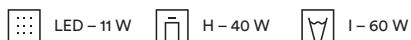
Outer package: 2

Spare part available: Cord grip canopy

Dimensions and light direction:



Recommended bulb:



Birdy table

121



Birdy table black / brass
– Item no. 600



Birdy table white / steel
– Item no. 601



Birdy table grey / steel
– Item no. 602



Birdy table black / black
– Item no. 604

Product type: Table lamp

Design: Birger Dahl, 1952

Shade material: Aluminium

Shade, base and handle colours: White, grey or black (shade inner colour is same as outer colour)

Body material: Steel

Body and joints colour: Steel, brass or black

Wire: Black (grey and black versions only) or white (white version only), 200 cm (with switch)

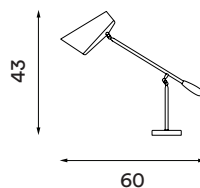
Bulb: E27, Max. 60 W

Voltage: 220V - 240V - 50Hz

Net weight: 1.9 kg

Outer package: 2

Dimensions and light direction:



Recommended bulb:





Birdy floor black / brass
– Item no. 620



Birdy floor white / steel
– Item no. 621



Birdy floor grey / steel
– Item no. 622



Birdy floor black / black
– Item no. 623

Product type: Floor reading lamp

Design: Birger Dahl, 1952

Shade material: Aluminium

Shade, base and handle colours: White, grey or black (shade inner colour is same as outer colour)

Body material: Steel

Body and joints colour: Steel, brass or black

Wire: Black (grey and black versions only) or white (white version only), 200 cm (with switch)

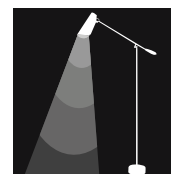
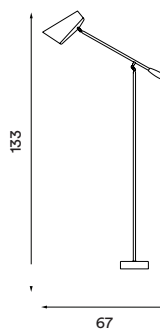
Bulb: E27, Max. 60 W

Voltage: 220V - 240V - 50Hz

Net weight: 5.0 kg

Order quantity: 1

Dimensions and light direction:



Recommended bulb:



Birdy wall

123



Birdy wall
black / brass
– Item no. 610



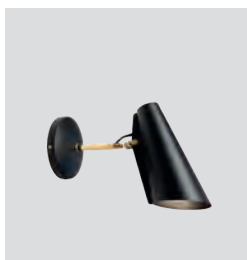
Birdy wall
white / steel
– Item no. 611



Birdy wall
grey / steel
– Item no. 612



Birdy wall
black / black
– Item no. 613



Birdy wall short
black / brass
– Item no. 615



Birdy wall short
white / steel
– Item no. 616



Birdy wall short
grey / steel
– Item no. 617



Birdy wall short
black / black
– Item no. 618

Product type: Wall lamp

Design: Birger Dahl, 1952

Shade material: Aluminium

Shade and base colours: White, grey or black
(shade inner colour is same as outer colour)

Body material: Steel

Body and joints colour: Steel, brass or black

Wire: Black (grey or black versions only) or white
(white version only), 200 cm (with switch)

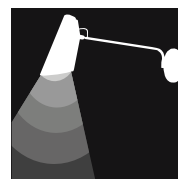
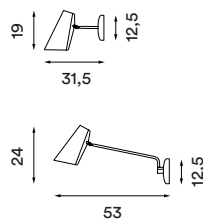
Bulb: E27, Max. 60 W

Voltage: 220V - 240V - 50Hz

Net weight: Birdy wall: 0.8 kg, Birdy wall short: 0.7 kg

Outer package: 2

Dimensions and light direction:

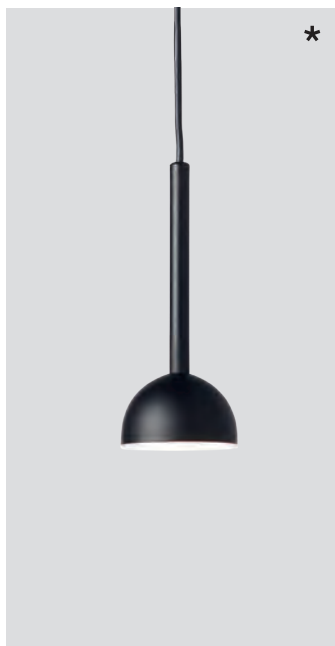


Recommended bulb:



Blush pendant

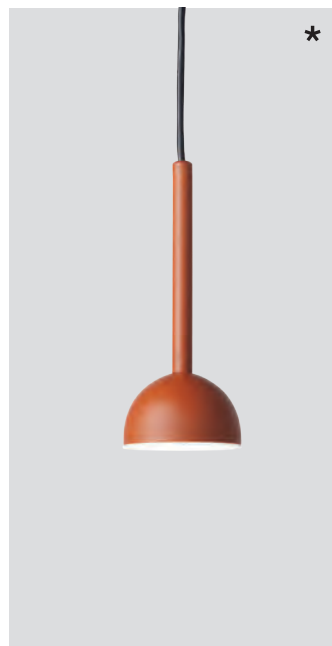
124



Blush black
– Item no. 116



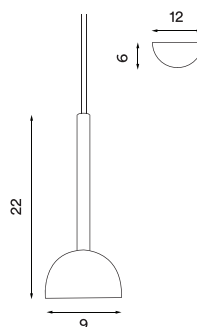
Blush white
– Item no. 117



Blush rust
– Item no. 118

Product type: Pendant lamp
Design: Morten & Jonas, 2019
Shade and body material: Steel
Shade and body colours: Black, white or rust
Light diffuser material: Opal acrylic
Wire: Black (black and rust version) or white (white version), 370 cm
Bulb: LED 6 W, 3000 K, 900 lm. Dimmable.
Voltage: 220V - 240V - 50/60Hz
Net weight: 0.70 kg
Outer package: 2
Spare parts available: LED module

Dimensions and light direction:



Light source included:

LED 6 W - Energy class: A+



Blush black
– Item no. 110



Blush pink
– Item no. 111

Product type: Wall lamp

Design: Morten & Jonas, 2018

Shade material: Steel

Body materials: Steel and silicone, brass flexible arm

Shade and body colours: Black or pink

Light diffuser material: Opal acrylic

Wire: Black (black version only) or white (pink version only), 200 cm

Switch: Dimmer switch on the wall base

Bulb: LED 6 W, 3000 K, 900 lm.

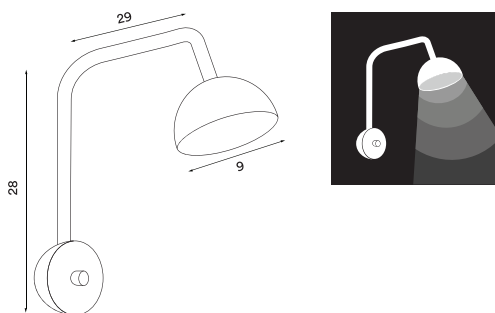
Voltage: 220V - 240V ~ 50/60Hz

Net weight: 0.60 kg

Outer package: 2

Spare parts available: LED module

Dimensions and light direction:

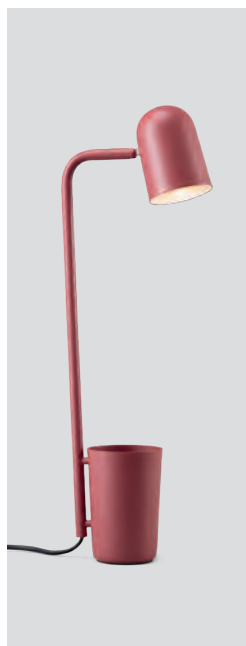


Light source included:

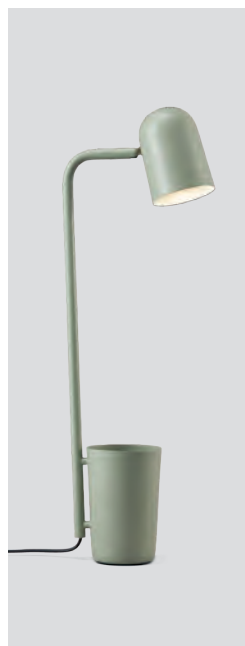
LED 6 W - Energy class: A+



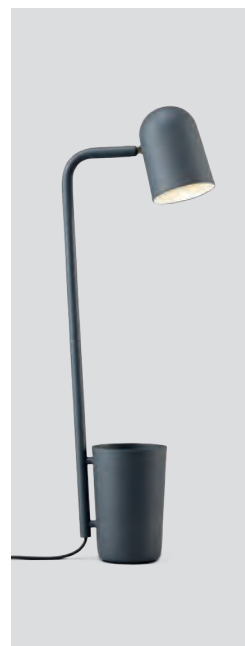
Buddy off-white
– Item no. 230



Buddy Marsala
– Item no. 231



Buddy light green
– Item no. 232



Buddy dark grey
– Item no. 233

Product type: Table lamp

Design: Mads Sætter-Lassen, 2016

Shade material: Steel

Body material: Steel

Colours: Off-white, Marsala, light green or dark grey (shade inner colour is same as outer colour)

Wire: Black or white (off-white version only), 200 cm (with switch)

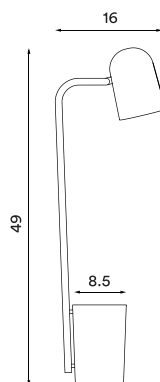
Bulb: GU10, Max. 6 W LED

Voltage: 220V - 240V - 50Hz

Net weight: 2.1 kg

Outer package: 2

Dimensions and light direction:



Recommended bulb:



Buddy wall

127



Buddy wall off-white
– Item no. 220



Buddy wall dark grey
– Item no. 221

Product type: Wall lamp

Design: Mads Sætter-Lassen, 2017

Shade material: Steel

Body and base material: Steel

Colours: Off-white or dark grey
(shade inner colour is same as outer colour)

Wire: Black (black version only) or white
(off-white version only), 200 cm

Switch: On/off switch on the base

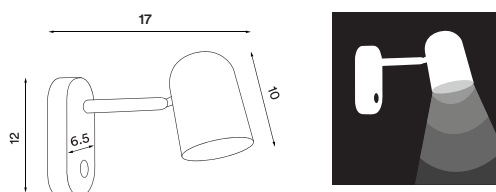
Bulb: GU10, Max. 6 W LED

Voltage: 220V - 240V ~ 50Hz

Net weight: 0.4 kg

Outer package: 2

Dimensions and light direction:



Recommended bulb:





Butterfly off-white
– Item no. 320



Butterfly brass
– Item no. 322

Product type: Wall lamp

Design: Sven I. Dysthe, 1964

Shade material: Steel or brass

Body material: Steel

Shade and body colour: Off-white or brushed brass

Wire: White silk (off-white version)

black silk (brass version), 190 cm

Switch: Detachable pull string switch

Bulb: E27, Max. 60 W

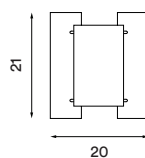
Voltage: 220V - 240V - 50Hz

Net weight: 1.05 kg

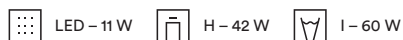
Outer package: 2

Spare part available: Wall bracket

Dimensions and light direction:



Recommended bulb:

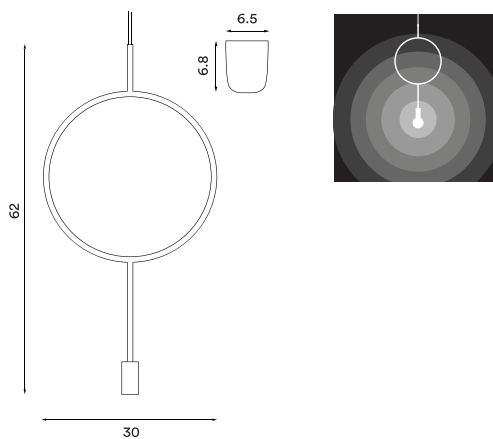




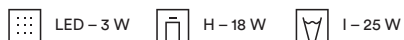
Circle
– Item no. 666

Dimensions and light direction:

Product type: Pendant lamp
Design: Hannakaisa Pekkala, 2017
Body colour: Dark grey
Body material: Steel
Wire: Black rubber, 350 cm
Bulb: E14, Max. 40 W
Voltage: 220V - 240V - 50Hz
Net weight: 0.60 kg
Outer package: 2

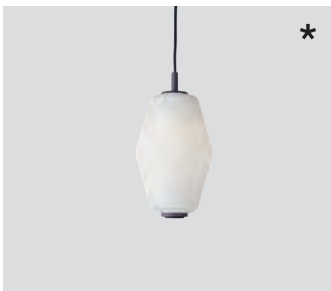


Recommended bulb:





Dahl small brass matt – *Item no. 491*



Dahl small dark grey – *Item no. 492*



Dahl small white – *Item no. 493*



Dahl large brass matt – *Item no. 445*



Dahl large dark grey – *Item no. 446*



Dahl large white – *Item no. 448*

Dahl large glass shade – *Item no. 444*

Dahl small glass shade – *Item no. 495*

Product type: Pendant lamp

Design: Birger Dahl, 1956

Shade material: Glass

Shade colour: Opal white matt

Body material: Steel

Body colours: Brass matt, dark grey or white

Wire: Black rubber (brass and grey versions),

white rubber (white version), 370 cm

Bulb: E27, Max. 40 W (small),

E27, Max. 100 W (large)

Voltage: 220V - 240V - 50Hz

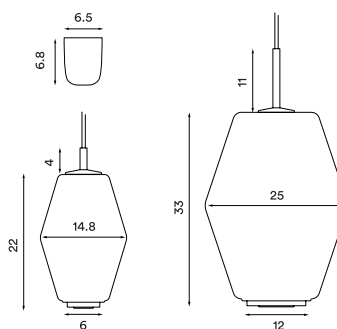
Net weight: 0.8 Kg (small), 2.1 Kg (large)

Outer package: 2

Spare parts available: Light diffuser ring,

cord grip canopy, glass shade

Dimensions and light direction:



Recommended bulbs:

LED – 7 W H – 30 W I – 40 W

LED – 9 W H – 60 W I – 75 W



Diva floor oak
– Item no. 370



Diva floor smoked oak
– Item no. 372



Diva pendant oak
– Item no. 380



Diva pendant smoked oak
– Item no. 382

Diva floor base – Item no. 390

Diva hanging part – Item no. 391

Product type: Floor lamp and pendant lamp

Design: Peter Natedal & Thomas Kalvatn Egset, 2009

Shade material and colour: Oak or smoked oak, laminated plywood

Glass shade material: Mouth blown glass

Glass shade colour: Opal white matt

Body material and colour: Steel

Wire: Transparent, 200 cm (floor) and 370 cm (pendant)

Dimmer switch: Transparent (floor lamp only)

Bulb: G9 Halogen, Max. 40 W

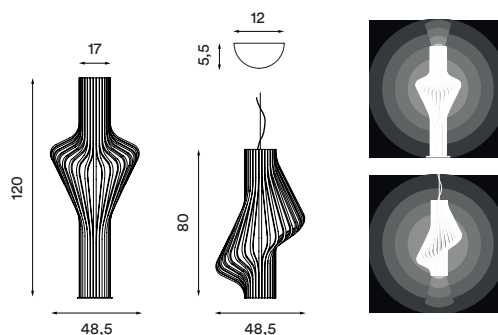
Voltage: 220V - 240V - 50Hz

Net weight: 7 kg (floor lamp), 4.5 kg (pendant lamp)

Order quantity: 1

Spare parts available: Glass shade

Dimensions and light direction:



Bulb included:

Halogen 40 W - Energy class: D



Dokka white matt
– Item no. 254



Dokka black matt
– Item no. 255



Dokka dark grey
– Item no. 256



Dokka light grey
– Item no. 257



Dokka petrol blue
– Item no. 258



Dokka aqua green
– Item no. 259

Product type: Pendant lamp

Design: Birger Dahl, 1954

Shade material: Steel

Shade ring material: Brass

Shade colours: White, black, light grey, dark grey, petrol blue and aqua green (all matt)

Shade inner colour: White

Wire: White rubber (white version) or black rubber (other versions), 370 cm

Bulb: E27, Max. 60 W

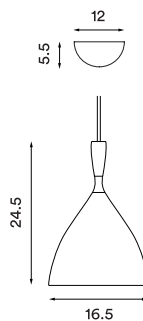
Voltage: 220V - 240V - 50Hz

Net weight: 0.7 kg

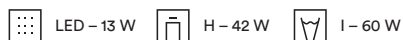
Outer package: 2

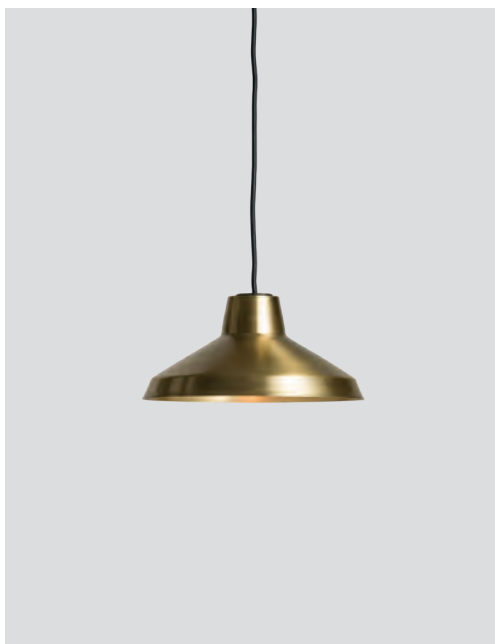
Spare part available: Cord grip canopy

Dimensions and light direction:



Recommended bulb:





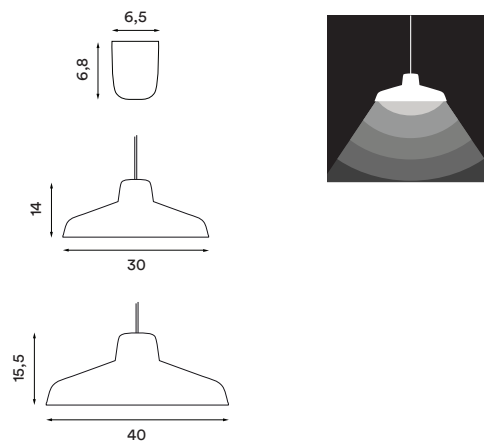
Evergreen small brass
– Item no. 454



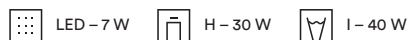
Evergreen large brass
– Item no. 464

Product type: Pendant lamp
Design: Jens Praet & Vibeke Skar, 2010
Shade material: Brass
Shade colour: Brushed brass
Wire: Black silk, 370 cm
Bulb: E27, Max. 60 W
Voltage: 220V - 240V - 50Hz
Net weight: 1.3 kg (small), 2.1 kg (large)
Outer package: 2
Spare part available: Cord grip canopy

Dimensions and light direction:

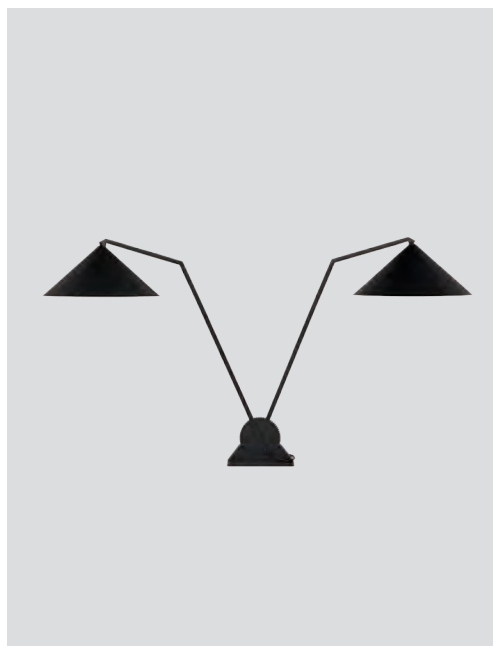


Recommended bulb:





Gear table
– Item no. 411



Gear table double
– Item no. 412

Product type: Table lamp

Design: Johan Lindstén, 2018

Base, body and shade material: Steel

Base, body and shade colour: Black

Shade inner colour: White

Wire: Black, 200 cm

Dimmer switch: Black

Bulb: E27, Max. 60 W (single version),
E27, Max. 2 x 60 W (double version)

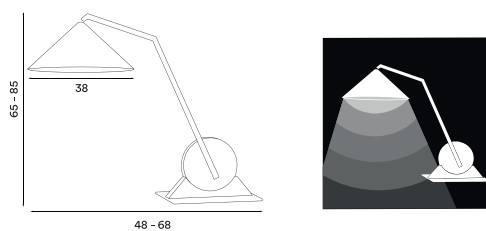
Voltage: 220V - 240V - 50/60Hz

Net weight single version: 6.1 kg

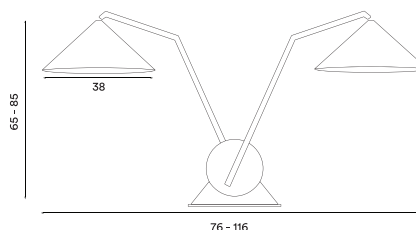
Net weight double version: 10.1 kg

Order quantity: 1

Dimensions and light direction:



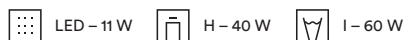
48 - 68



76 - 116



Recommended bulb:

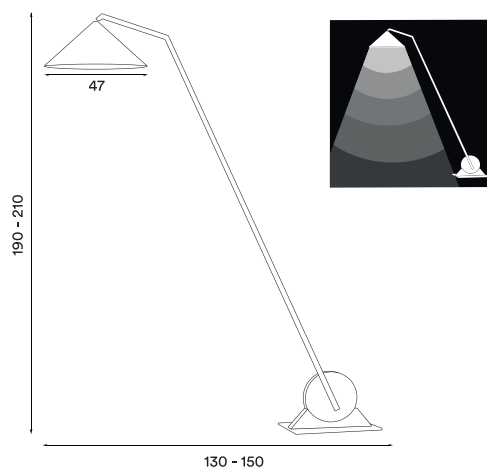




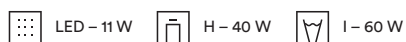
Gear floor
– Item no. 410

Product type: Floor lamp
Design: Johan Lindstén, 2018
Base, body and shade material: Steel
Base, body and shade colour: Black
Shade inner colour: White
Wire: Black, 200 cm
Dimmer switch: Black
Bulb: E27, Max. 100 W
Voltage: 220V - 240V - 50/60Hz
Net weight: 17.1 kg
Order quantity: 1

Dimensions and light direction:



Recommended bulb:

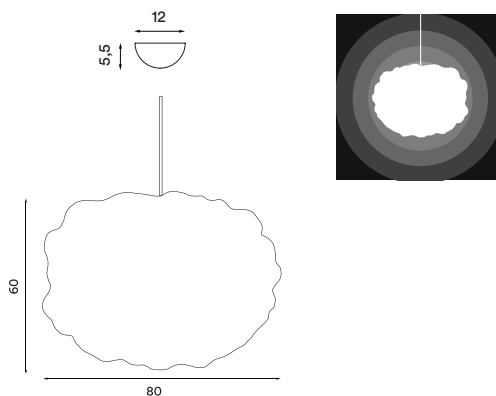




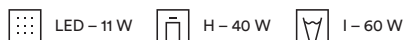
Heat

– Item no. 481

Product type: Pendant lamp
Design: Johanna Forsberg, 2018
Shade material: Brass metal mesh
Shade colour: Brass
Body material: Steel
Body colour: Brass
Wire: Black rubber, 370 cm
Bulb: E27, Max. 100 W
Voltage: 220V - 240V - 50/60Hz
Net weight: 2.1 kg
Order quantity: 1

Dimensions and light direction:

Recommended bulb:





Illusion white
– Item no. 440



Illusion black
– Item no. 441



Illusion half white
– Item no. 442



Illusion half black
– Item no. 443

Product type: Pendant lamp and wall lamp series

Design: Hareide Design, 2010

Shade material: Aluminium

Body and base material: Steel

Shade and body colours: White shiny or black matt

Base colour (pendant lamp only): Black matt

Wire (pendant lamp only): White (white version) or black (black version) silk, 450 cm

Bulbs pendant lamp: GU10, Max. 50W x 4

Bulbs wall lamp: GU10, Max. 50W x 2

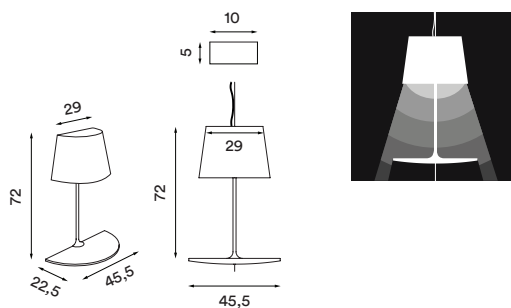
Voltage: 220V - 240V - 50Hz

Net weight pendant lamp: 5.1 kg (plus floor base)

Net weight wall lamp: 2.6 kg

Order quantity: 1

Dimensions and light direction:



Recommended bulbs:





Ink black
– Item no. 269

Product type: Wall lamp

Design: Felix Isidorsson, 2019

Shade and body material: Steel

Shade and body colour: Black

Shade inner colour: White

Wire: Black, 200 cm (with switch)

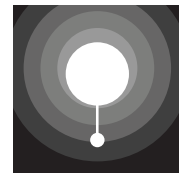
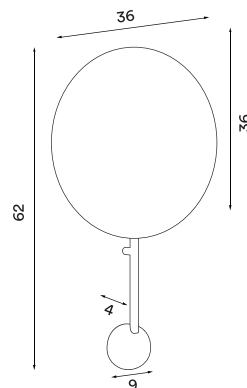
Bulb: LED 8 W, 3000 K, 900 lm.

Voltage: 220V - 240V - 50/60Hz

Net weight: 1.8 kg

Outer package: 2

Dimensions and light direction:

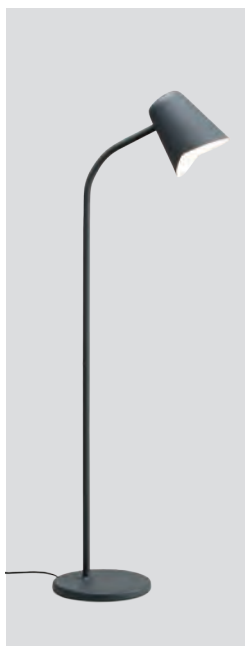


Light source included:

LED 8 W - Energy class: A+



Me white
– Item no. 652



Me grey
– Item no. 653



Me petrol blue
– Item no. 654



Me black
– Item no. 655

Product type: Floor lamp

Design: Morten & Jonas, 2015

Body materials: Steel and silicone

Shade material: Steel

Shade and body colours: White, grey, petrol blue or black

Shade inner colour: White

Wire: Black or white (on white body only), 200 cm

Foot switch: Black or white (on white body only)

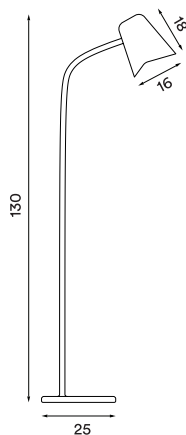
Bulb: E27, Max. 60 W

Voltage: 220V - 240V - 50Hz

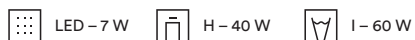
Net weight: 4.5 kg

Order quantity: 1

Dimensions and light direction:



Recommended bulb:





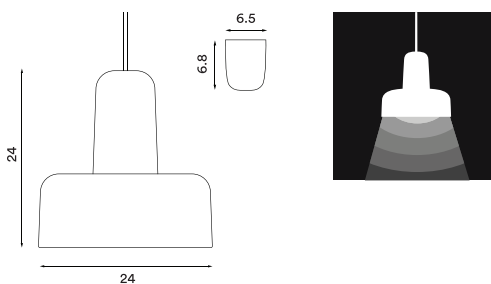
Meld grey / off-white
– Item no. 125



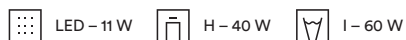
Meld dusty blue / off-white
– Item no. 126

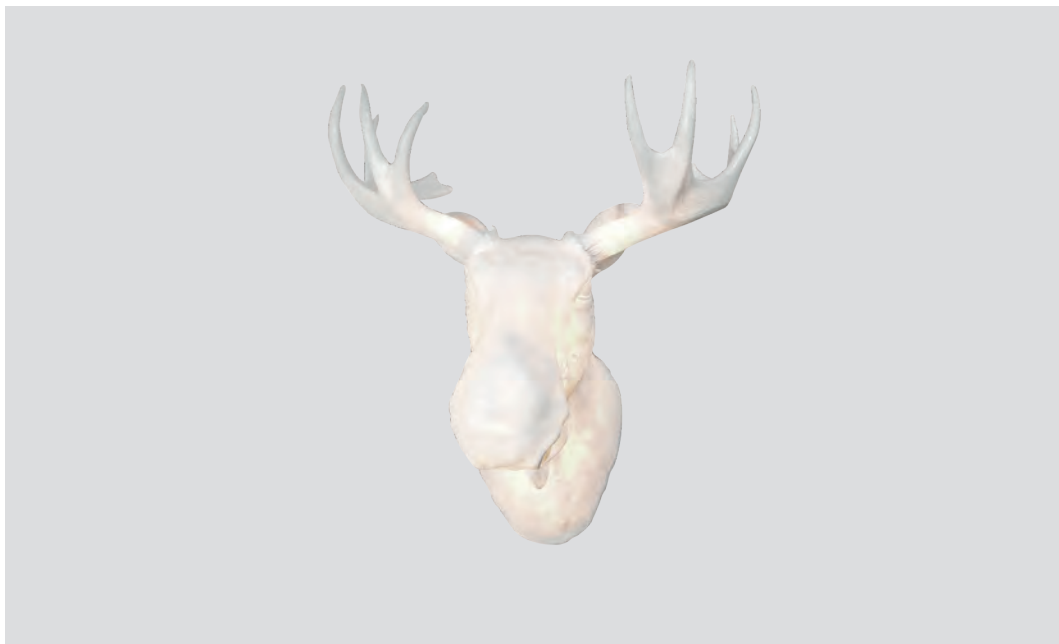
Product type: Pendant lamp
Design: Noidoi Design Studio, 2017
Shade material: Stoneware
Shade colour: Grey / off-white or
 dusty blue / off-white
Wire: Grey silk, 370 cm
Bulb: E27, Max. 60 W
Voltage: 220V - 240V - 50Hz
Net weight: 2.5 kg
Outer package: 2

Dimensions and light direction:



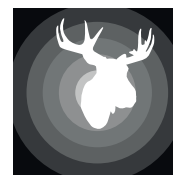
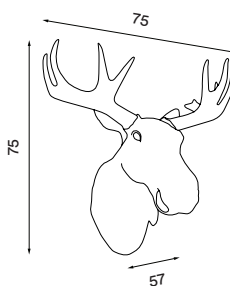
Recommended bulb:





Moo

– Item no. 272

Product type: Wall lamp**Design:** Trond Svendgård & Ove Rogne, 2008**Shade material:** Polyresin and glass fibre**Shade colour:** White**Body material:** Steel**Wire:** White, 190 cm (with switch)**Bulbs main body:** 2 x E27 LED or CFL, Max. 20W**Bulbs horns:** 2 x E14 LED or CFL, Max. 7 W**Voltage:** 220V - 240V - 50Hz**Net weight:** 11.4 kg**Order quantity:** 1**Spare parts available:** Light bulbs (2800K, warm white and 4000K, daylight), horns (set)**Dimensions and light direction:****Bulbs included:**

2 x E27 LED 7 W (4000K) – Energy class: A+
2 x E14 LED 5.5 W (4000K) – Energy class: A+



Ombre black
– Item no. 130



Ombre warm beige
– Item no. 131

Product type: Table lamp

Design: Antoine Rouzeau, 2019

Shade and body material: Steel

Shade and body colour: Black or warm beige

Wire: Black, 200 cm (with dimmer switch)

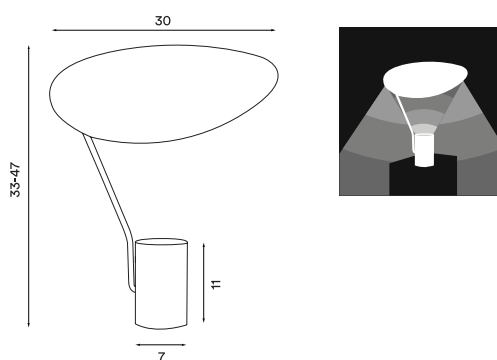
Bulb: GU10, Max. 6 W LED only

Voltage: 220V - 240V - 50/60Hz

Net weight: 1.6 kg

Outer package: 2

Dimensions and light direction:



Recommended bulb (dimmable):





Oslo Wood beige
shade – *Item no. 160*
Oslo Wood steel
feet – *Item no. 180*



Oslo Wood black
shade – *Item no. 161*
Oslo Wood black
feet – *Item no. 181*



Oslo Wood light blue
shade – *Item no. 162*
Oslo Wood white
feet – *Item no. 182*



Oslo Wood green
shade – *Item no. 163*
Oslo Wood glossy black
feet – *Item no. 183*



Oslo Wood green
shade – *Item no. 163*
Oslo Wood gold
feet – *Item no. 184*

Product type: Floor lamp

Design: Ove Rogne, 2006

Shade material: Coloured chain link fabric

Shade colour: Beige, black, green or light blue

Body material: Steel

Body colour: Steel, black, glossy black,
gold or white

Wire: Black or white (on white body only), 200 cm

Dimmer switch: Black or white (on white body only)

Bulb: E27, Max. 100 W

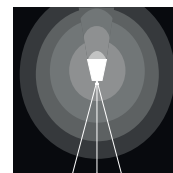
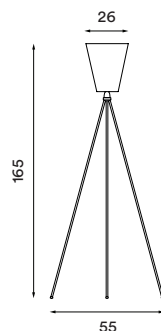
Voltage: 220V 240V - 50Hz

Net weight: 3.5 kg

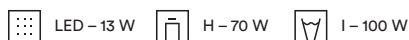
Outer package: 2

Spare parts available: Dimmer switch,
bulb socket, shade fastening ring

Dimensions and light direction:



Recommended bulb (dimmable):





Over Me 30 white
– Item no. 640



Over Me 30 dusty blue
– Item no. 641



Over Me 30 dark grey
– Item no. 642



Over Me 40 white
– Item no. 643



Over Me 40 dusty blue
– Item no. 644



Over Me 40 dark grey
– Item no. 645

Product type: Ceiling and wall lamp

Design: Morten & Jonas, 2017

Body material: Steel

Body colour: White, dusty blue or dark grey

Shade material: Glass

Shade colour: Opal white matt

Bulbs: E27, Max. 2 x 13 W LED only (small),

E27, Max. 3 x 13 W LED only (large)

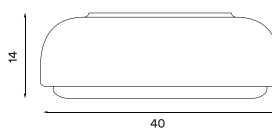
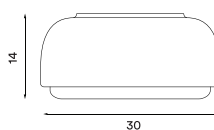
Voltage: 220V - 240V - 50Hz

Net weight: 2.0 kg (small), 3.1 kg (large)

Outer package: 2

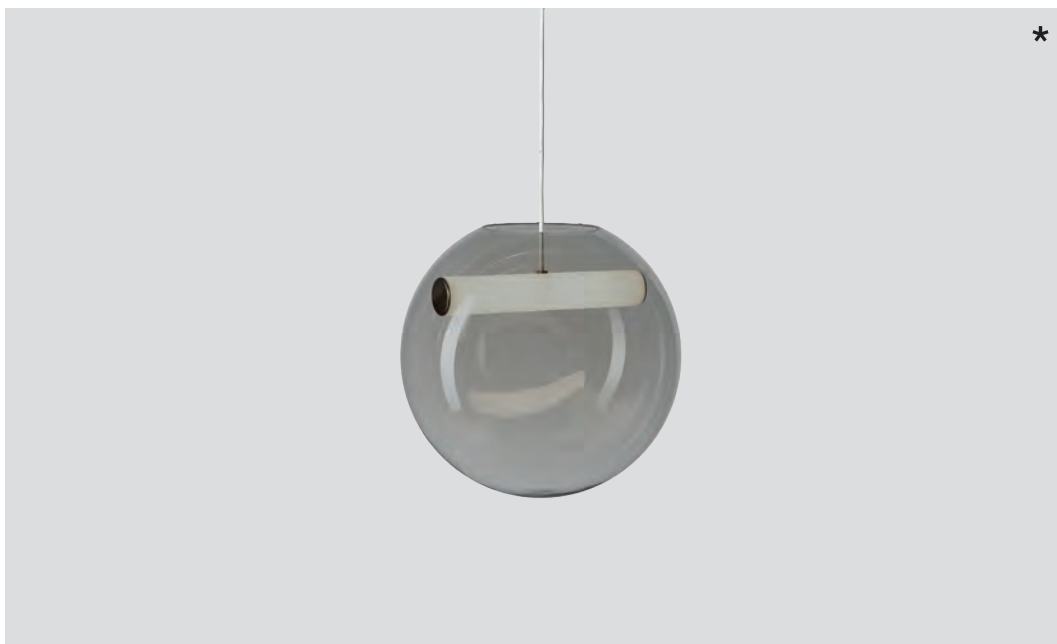
Spare parts available: Glass shade

Dimensions and light direction:



Recommended bulbs:

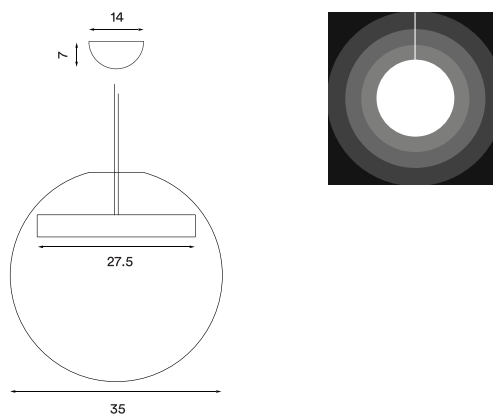




Reveal – Item no. 190

Product type: Pendant lamp
Design: Silje Nesdal, 2019
Shade material: Mouth blown glass
Shade colours: Grey
Body material: Aluminium and acrylic
Body colour: Brass matt and opal white
Wire: White rubber, 370 cm
Bulb: LED 10 W, 3000 K, 900 lm. Dimmable.
Voltage: 220V - 240V ~ 50/60Hz
Net weight: 3.5 kg
Order quantity: 1

Dimensions and light direction:



Light source included:

LED 10 W - Energy class: A+



Say My Name pendant
smoked grey glossy – *Item no. 660*



Say My Name pendant
smoked grey matt – *Item no. 661*



Say My Name pendant
white matt – *Item no. 668*



Say My Name table
smoked grey glossy – *Item no. 662*



Say My Name table
smoked grey matt – *Item no. 663*



Say My Name table
white matt – *Item no. 669*

Product type: Pendant and table lamp

Design: Morten & Jonas, 2015

Shade material: Mouth blown glass

Shade colour: Smoked grey glossy, smoked grey matt or white matt

Base material: Steel

Wire: Black rubber (smoked grey version) or white rubber (white version), 370 cm (pendant) 200 cm with switch (table)

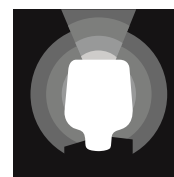
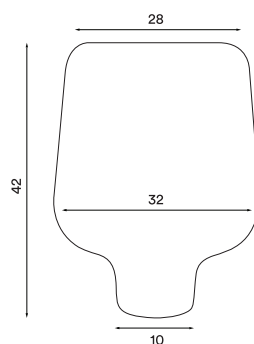
Bulb: E27, Max. 60 W

Voltage: 220V - 240V - 50Hz

Net weight: 5.7 kg (pendant and table)

Order quantity: 1

Dimensions and light direction:



Recommended bulb:

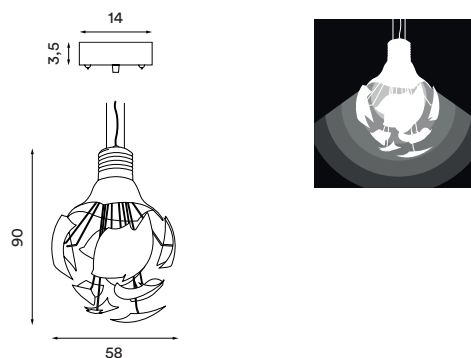




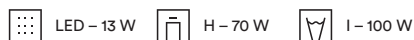
Scheisse – *Item no. 280*

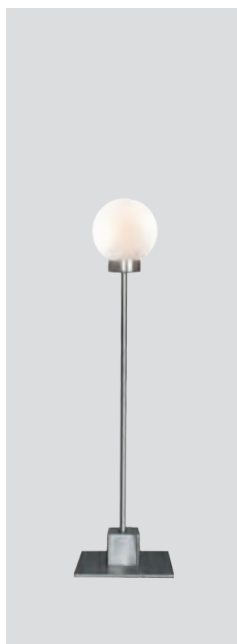
Product type: Pendant lamp
Design: Hans Bleken Rud, 2008
Shade material: Aluminium
Shade colour: Off-white
Body material: Steel
Body colour: Off-white
Wire: Transparent, 370 cm
Bulb: E27, Max. 200 W
Voltage: 220V - 240V ~ 50Hz
Net weight: 3.3 kg
Order quantity: 1
Spare parts available: Shade elements

Dimensions and light direction:

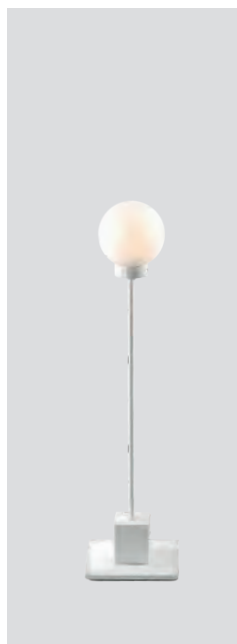


Recommended bulb:

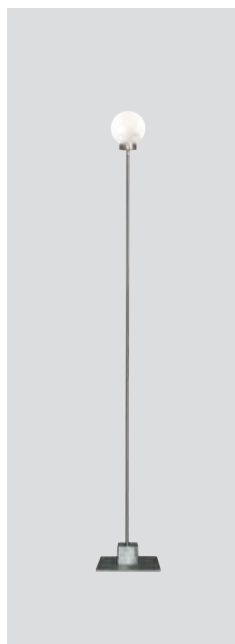




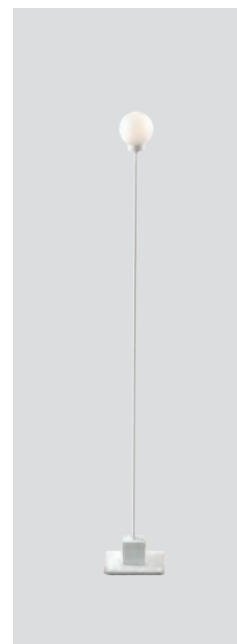
Snowball metallic small
– Item no. 120



Snowball white small
– Item no. 121



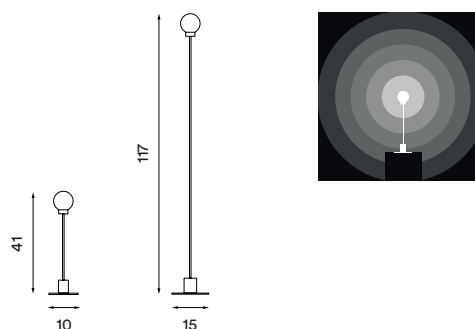
Snowball metallic large
– Item no. 122



Snowball white large
– Item no. 123

Product type: Table and floor lamp
Design: Trond Svendgård, 2005
Body material: Steel and aluminium
Body colour: Steel or white
Shade material: Mouth blown glass
Shade colour: Opal white matt
Wire: Transparent, 200 cm (floor), 170 cm (table)
Dimmer switch: Transparent
Bulb: G9, Halogen Max. 40 W
Voltage: 220V - 240V - 50Hz
Net weight: 0.9 kg (table), 1.6 kg (floor)
Outer package: 2
Spare part available: Glass shade

Dimensions and light direction:



Bulb included:

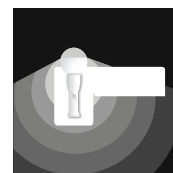
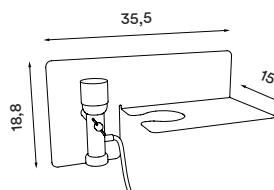
Halogen 40 W - Energy class: D



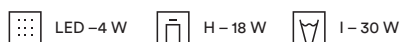
Sunday black
 – Item no. 421

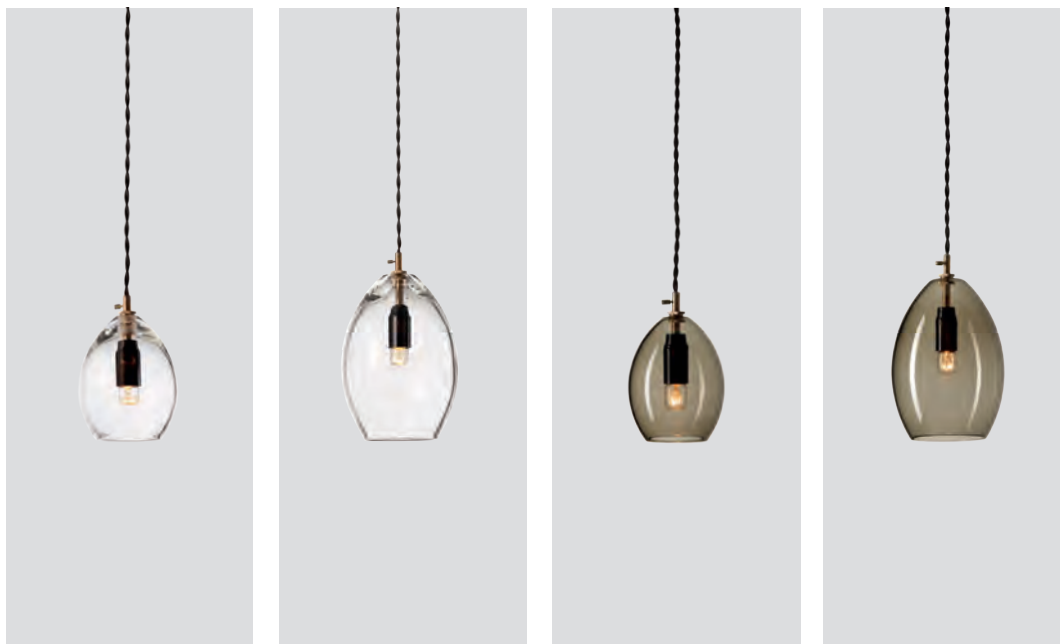
Product type: Wall lamp
Design: Frost Produkt & Martina Carpelan, 2010
Body material: Steel
Body colour: Black matt
Wire: Grey silk, 160 cm (with switch)
Bulb: E27, Max. 60 W
Voltage: 220V - 240V - 50Hz
Net weight: 1.1 kg
Outer package: 2

Dimensions and light direction:



Recommended bulb:





Unika small
– Item no. 530

Unika large
– Item no. 531

Unika small grey
– Item no. 535

Unika large grey
– Item no. 536

Product type: Pendant lamp

Design: Anne Louise Due de Fønss
& Anders Lundqvist, 2012

Shade material: Mouth blown glass

Shade colour: Transparent or grey

Body material: Brass

Wire: Black twisted fabric wire, 370 cm

Bulb: E14, Max. 60 W

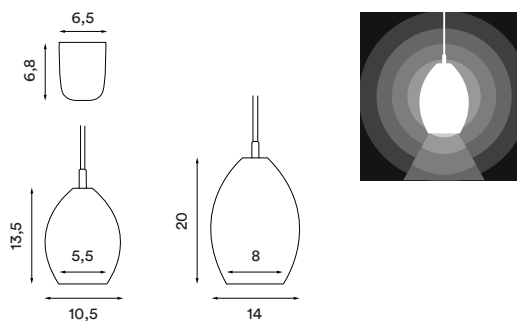
Voltage: 220V - 240V - 50Hz

Net weight: 0.7 kg (small), 1.0 kg (large)

Outer package: 2

Spare parts available: Hanging part with 8m. cable, brass decorative side screw, cord grip canopy

Dimensions and light direction:



Recommended bulb:





Credit & Contact

Content

Bradley Quinn

Design & Art Direction

Bielke&Yang

United Press

Cover printed on Pop'Set (320gsm)
content printed on Serixo (120 gsm)

Styling

Per Olav Sølberg, Norway

Photo

Chris Tonnesen, Denmark

Calle Huth, Norway

Page 4-5, 23, 87-89

Kenneth Williams, Norway

All packshots in technical section

Contact Norway

Northern

Bygdøy allé 68

0265 Oslo, Norway

Phone – (+47) 40 00 70 37

Mail – post@northern.no

Web – northern.no

Contact Germany

Northern

Elisabethstraße 11

40217 Düsseldorf, Germany

Phone – (+49) 172 519 2406

Mail – till@northern.no

Web – northern.no

Follow us

Facebook – northern.no

Instagram – [@northern.no](https://www.instagram.com/northern.no)

Pinterest – [NorthernOslo](https://www.pinterest.com/NorthernOslo)

Nº

